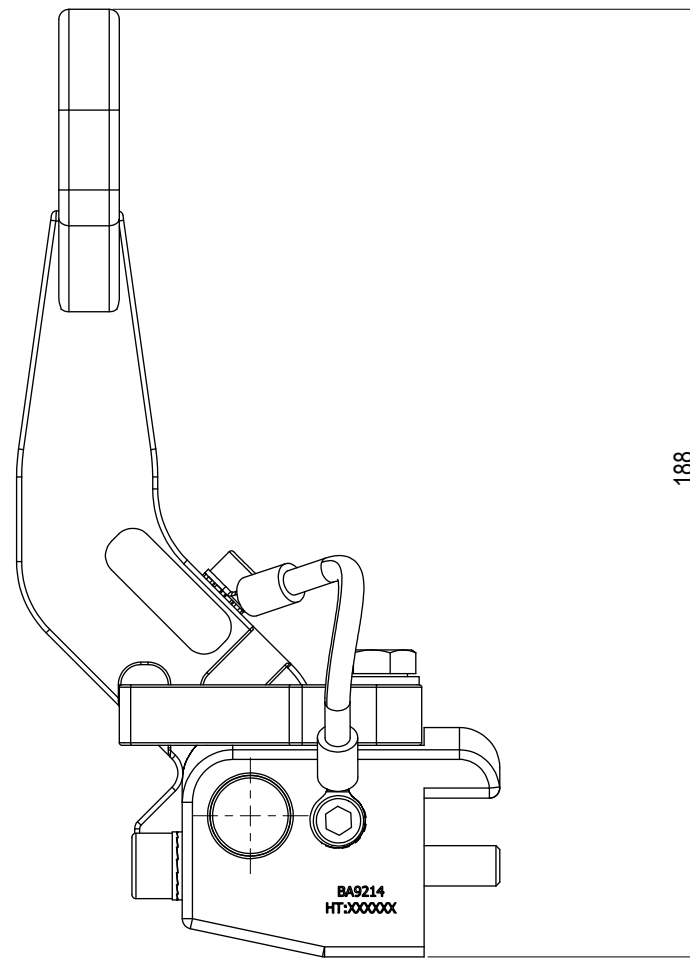
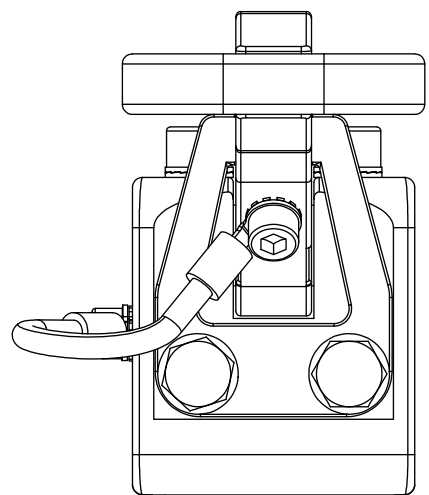
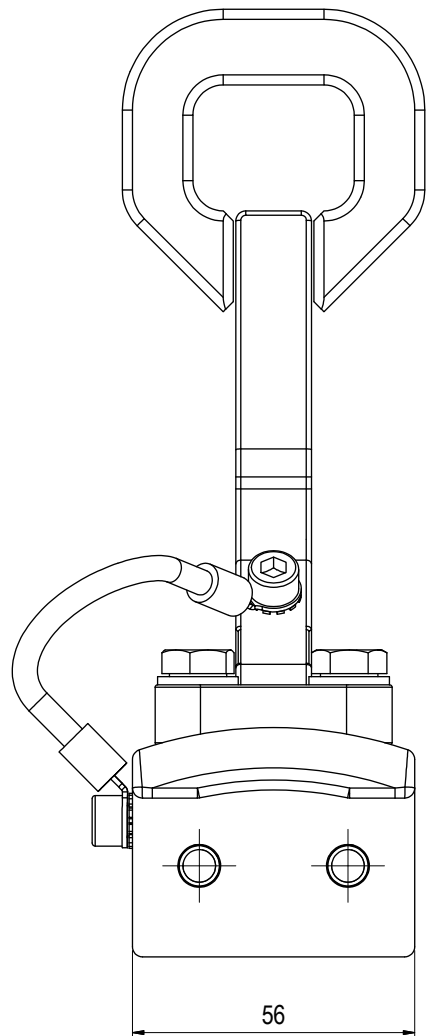


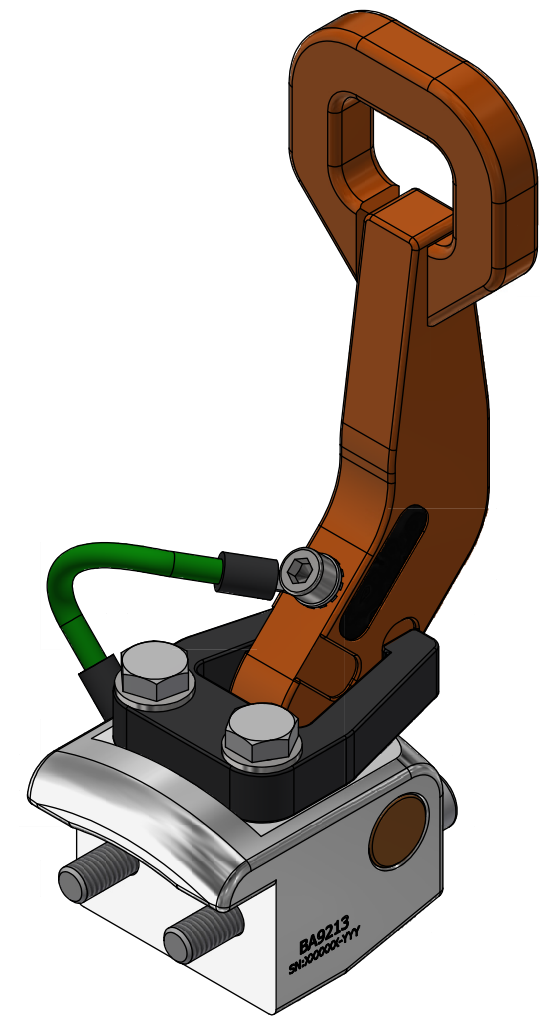
Assembly No. and Serial No. Information



NOTE: 1  
DESIGN CODE:  
N/A

NOTE: 2  
TECHNICAL CLASSIFICATION:  
Article Type: 003-Valve Stabs  
Main Group: 3.07. Ø55/Ø57-Valvestab  
Intermediate Group: 3.42.02. Receptacle  
Sub Group: 3.42.103.6. Hexa

NOTE: 3  
INTERFACE INFORMATION:  
Pressure Rating Bar: N/A  
Material: N/A  
Weight: 1,5 kg  
Volume: 0,2 dm<sup>3</sup>  
Surface Area: 641 cm<sup>2</sup>  
Hydraulic: N/A  
Mechanical: N/A  
Electrical: N/A  
Com. & Protocol: N/A



07	22.4.2021	9-IFU (Issued for Use)		HNJ	LGH	HNJ
06	10.1.2020	9-IFU (Issued for Use)		WTJ	ANA	HNJ
05	9.9.2019	9-IFU (Issued for Use)		WTJ	LGH	WTJ
04	30.1.2017	9-IFU (Issued for Use)		WTJ	LAE	WTJ
Rev.	Date	Reason for issue	Revision change	Made	Chk'd	Appr.



Dwg Scale:	NTS
Dwg Proj:	
Dwg Format:	A3

Drawing title:	Lock Mechanism Ø55/Ø57 HP VStab V2
Drawing number:	BA9213
Rev:	07